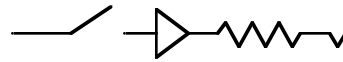
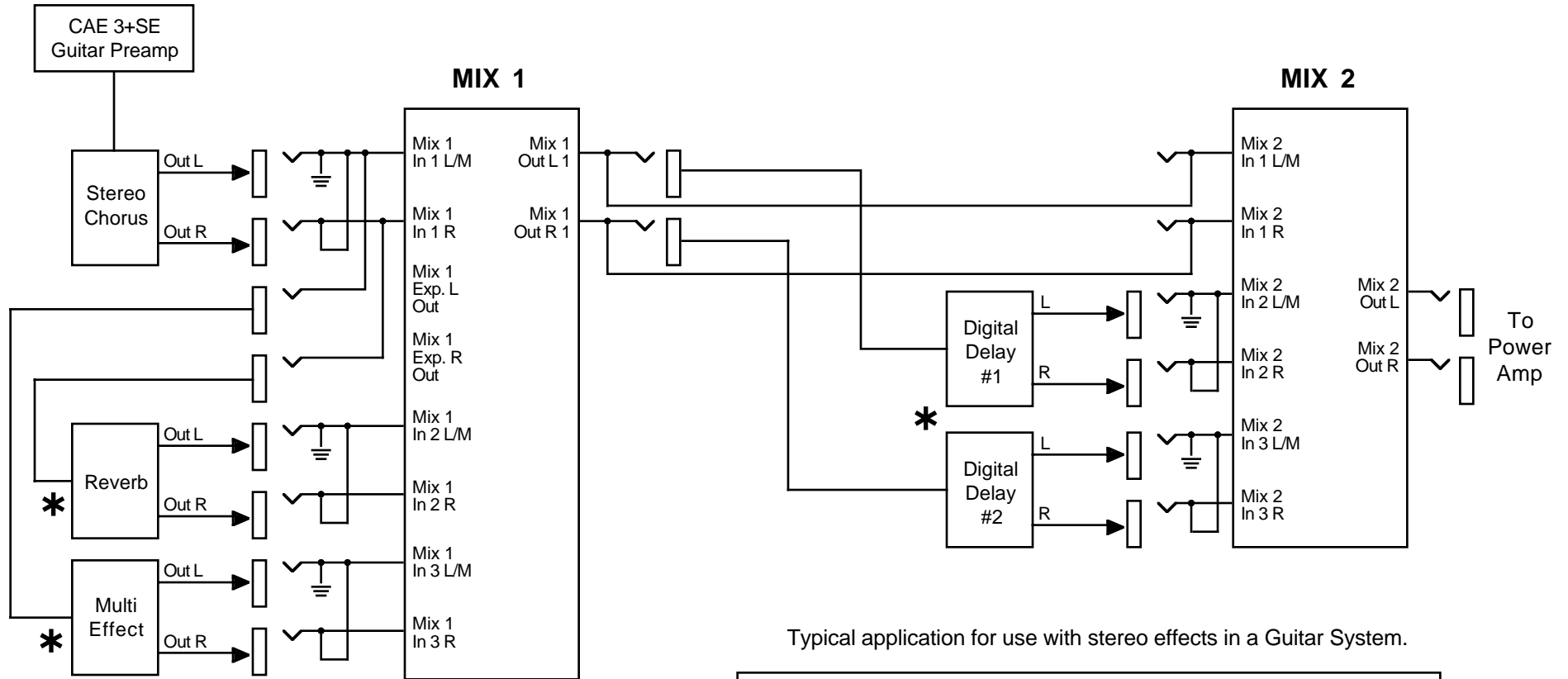


CUSTOM AUDIO ELECTRONICS



Dual/Stereo Mini Mixer

Block Diagram



Typical application for use with stereo effects in a Guitar System.

* Set effect unit balance to 100% effect (wet) and use the effect units output level for balance between “effected” sound and dry (unprocessed) sound. The dry (unprocessed) sound passes through inputs 1 on both mixers.